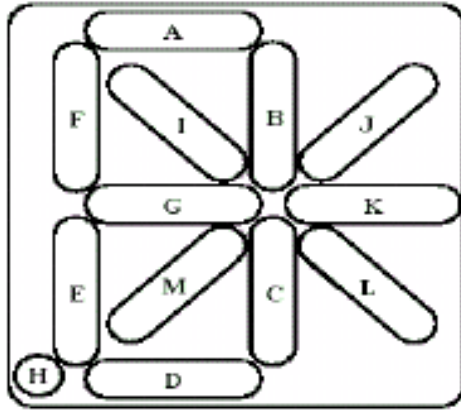


**T.C.
ERCIYES ÜNİVERSİTESİ
BİLGİSAYAR MÜHENDİSLİĞİ
LOJİK LAB – 4 x 13 Decoder Ödevi**

**İrfan EVRENS
1030515249**

Kayseri, Kasım 2006

| | A | B | C | D | Görünüm | a | b | c | d | e | f | g | h | i | j | k | l | m |
|----|---|---|---|---|---------|---|---|---|---|---|---|---|---|---|---|---|---|---|
| 0 | 0 | 0 | 0 | 0 | 0 | 1 | 1 | 1 | 1 | 1 | 1 | 0 | 0 | 0 | 0 | 0 | 0 | 0 |
| 1 | 0 | 0 | 0 | 1 | 1 | 0 | 1 | 1 | 0 | 0 | 0 | 0 | 0 | 0 | 0 | 0 | 0 | 0 |
| 2 | 0 | 0 | 1 | 0 | 2 | 1 | 1 | 0 | 1 | 1 | 0 | 1 | 0 | 0 | 0 | 0 | 0 | 0 |
| 3 | 0 | 0 | 1 | 1 | 3 | 1 | 1 | 1 | 1 | 0 | 0 | 1 | 0 | 0 | 0 | 0 | 0 | 0 |
| 4 | 0 | 1 | 0 | 0 | 4 | 0 | 1 | 1 | 0 | 0 | 1 | 1 | 0 | 0 | 0 | 0 | 0 | 0 |
| 5 | 0 | 1 | 0 | 1 | 5 | 1 | 0 | 1 | 1 | 0 | 1 | 1 | 0 | 0 | 0 | 0 | 0 | 0 |
| 6 | 0 | 1 | 1 | 0 | 6 | 1 | 0 | 1 | 1 | 1 | 1 | 1 | 0 | 0 | 0 | 0 | 0 | 0 |
| 7 | 0 | 1 | 1 | 1 | 7 | 1 | 1 | 1 | 0 | 0 | 0 | 0 | 0 | 0 | 0 | 0 | 0 | 0 |
| 8 | 1 | 0 | 0 | 0 | 8 | 1 | 1 | 1 | 1 | 1 | 1 | 1 | 0 | 0 | 0 | 0 | 0 | 0 |
| 9 | 1 | 0 | 0 | 1 | 9 | 1 | 1 | 1 | 1 | 0 | 1 | 1 | 0 | 0 | 0 | 0 | 0 | 0 |
| 10 | 1 | 0 | 1 | 1 | + | 0 | 1 | 1 | 0 | 0 | 0 | 1 | 0 | 0 | 0 | 1 | 0 | 0 |
| 11 | 1 | 0 | 1 | 0 | - | 0 | 0 | 0 | 0 | 0 | 0 | 1 | 0 | 0 | 0 | 1 | 0 | 0 |
| 12 | 1 | 1 | 0 | 1 | * | 0 | 0 | 0 | 0 | 0 | 0 | 0 | 0 | 1 | 1 | 0 | 1 | 1 |
| 13 | 1 | 1 | 0 | 0 | / | 0 | 0 | 0 | 0 | 0 | 0 | 0 | 0 | 0 | 1 | 0 | 0 | 1 |
| 14 | 1 | 1 | 1 | 1 | . | 0 | 0 | 0 | 0 | 0 | 0 | 0 | 1 | 0 | 0 | 0 | 0 | 0 |
| 15 | 1 | 1 | 1 | 0 | = | 0 | 0 | 0 | 1 | 0 | 0 | 1 | 0 | 0 | 0 | 0 | 0 | 0 |



Yandaki display ekranı için yukarıdaki doğruluk tablosu çıkarılmıştır. Her bir sonu için diyagramlar çizilerek 4 girişli ve 16 çıkışlı dekoder tasarlayacağız

Decode Doğruluk Tablosu

A

| ABCD | "00" | "01" | "11" | "10" |
|------|------|------|------|------|
| "00" | 1 | | 1 | 1 |
| "01" | | 1 | 1 | 1 |
| "11" | | | | |
| "10" | 1 | 1 | | |

B

| ABCD | "00" | "01" | "11" | "10" |
|------|------|------|------|------|
| "00" | 1 | 1 | 1 | 1 |
| "01" | 1 | | 1 | |
| "11" | | | | |
| "10" | 1 | 1 | | 1 |

C

| ABCD | "00" | "01" | "11" | "10" |
|------|------|------|------|------|
| "00" | 1 | 1 | 1 | |
| "01" | 1 | 1 | 1 | 1 |
| "11" | | | | |
| "10" | 1 | 1 | | 1 |

D

| ABCD | "00" | "01" | "11" | "10" |
|------|------|------|------|------|
| "00" | 1 | | 1 | 1 |
| "01" | | 1 | | 1 |
| "11" | | | 1 | |
| "10" | 1 | 1 | | |

E

| ABCD | "00" | "01" | "11" | "10" |
|------|------|------|------|------|
| "00" | 1 | | | 1 |
| "01" | | | | 1 |
| "11" | | | | |
| "10" | 1 | | | |

F

| ABCD | "00" | "01" | "11" | "10" |
|------|------|------|------|------|
| "00" | 1 | | | |
| "01" | 1 | 1 | | 1 |
| "11" | | | | |
| "10" | 1 | 1 | | |

G

| ABCD | "00" | "01" | "11" | "10" |
|------|------|------|------|------|
| "00" | | | 1 | 1 |
| "01" | 1 | 1 | | 1 |
| "11" | | | 1 | |
| "10" | 1 | 1 | 1 | 1 |

H

| ABCD | "00" | "01" | "11" | "10" |
|------|------|------|------|------|
| "00" | | | | |
| "01" | | | | |
| "11" | | | | 1 |
| "10" | | | | |

I

| ABCD | "00" | "01" | "11" | "10" |
|------|------|------|------|------|
| "00" | | | | |
| "01" | | | | |
| "11" | 1 | | | |
| "10" | | | | |

J

| ABCD | "00" | "01" | "11" | "10" |
|------|------|------|------|------|
| "00" | | | | |
| "01" | | | | |
| "11" | 1 | 1 | | |
| "10" | | | | |

K

| ABCD | "00" | "01" | "11" | "10" |
|------|------|------|------|------|
| "00" | | | | |
| "01" | | | | |
| "11" | | | | |
| "10" | | | 1 | 1 |

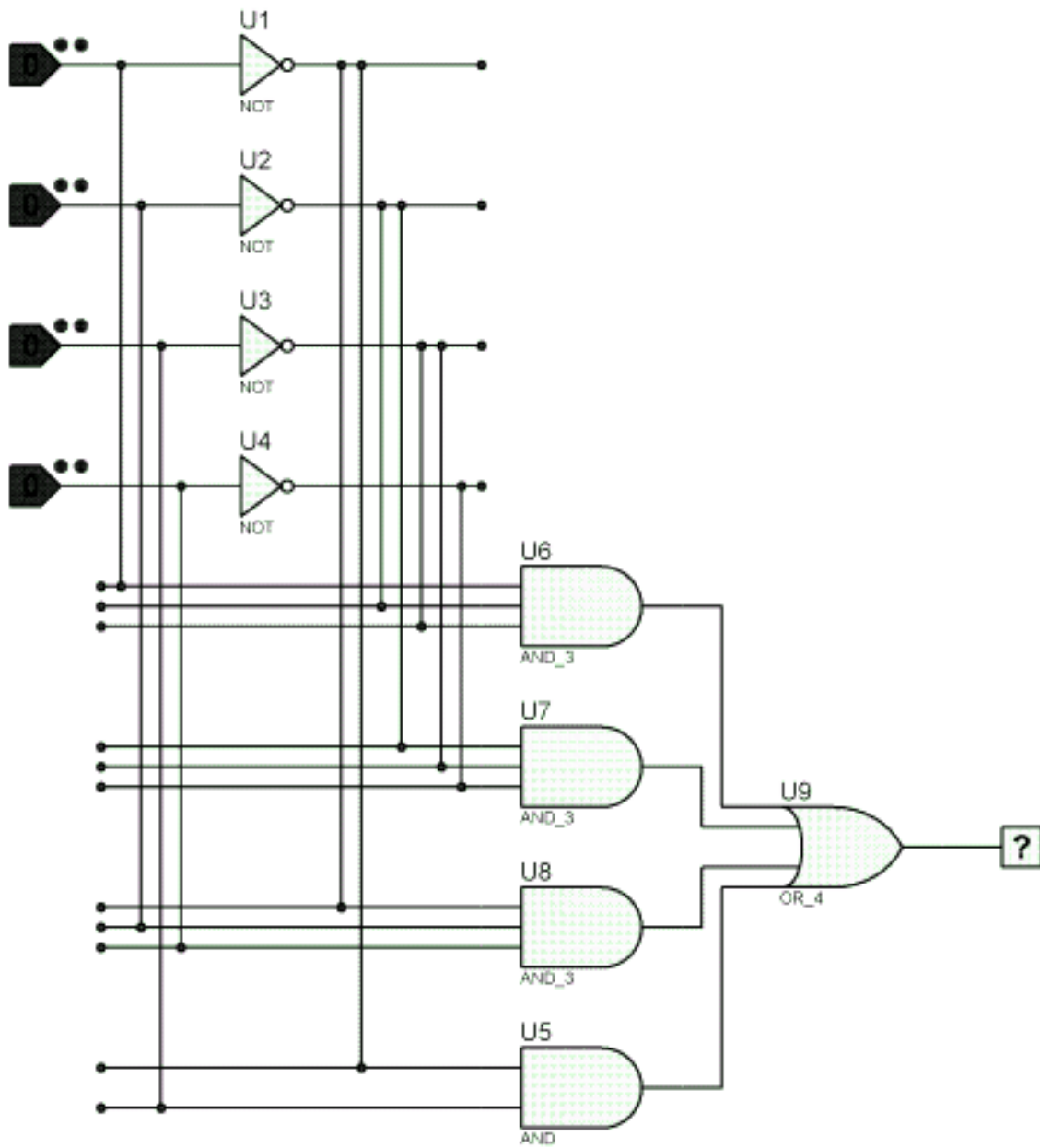
L

| ABCD | "00" | "01" | "11" | "10" |
|------|------|------|------|------|
| "00" | | | | |
| "01" | | | | |
| "11" | 1 | | | |
| "10" | | | | |

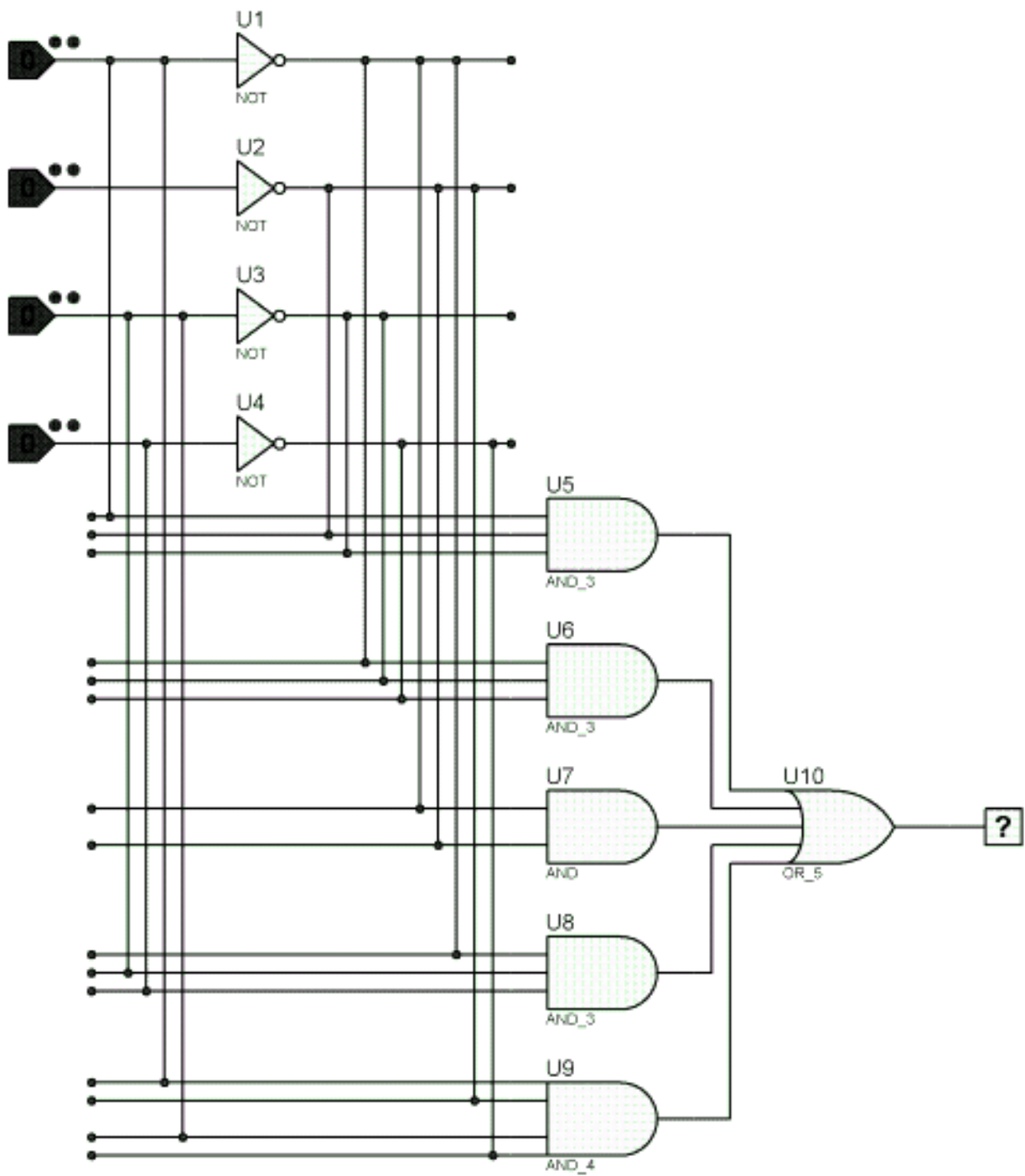
M

| ABCD | "00" | "01" | "11" | "10" |
|------|------|------|------|------|
| "00" | | | | |
| "01" | | | | |
| "11" | 1 | | | |
| "10" | | | | |

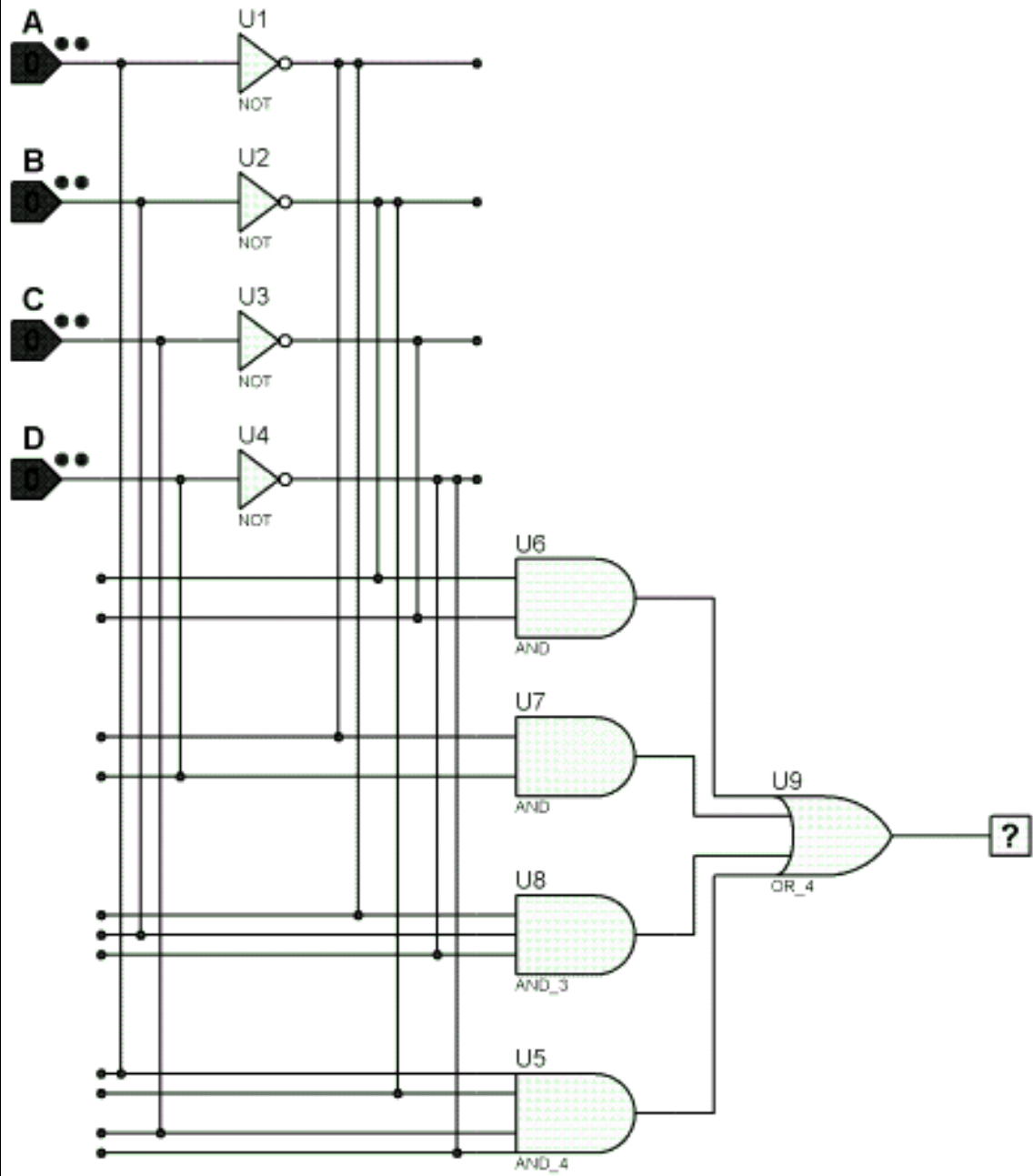
A



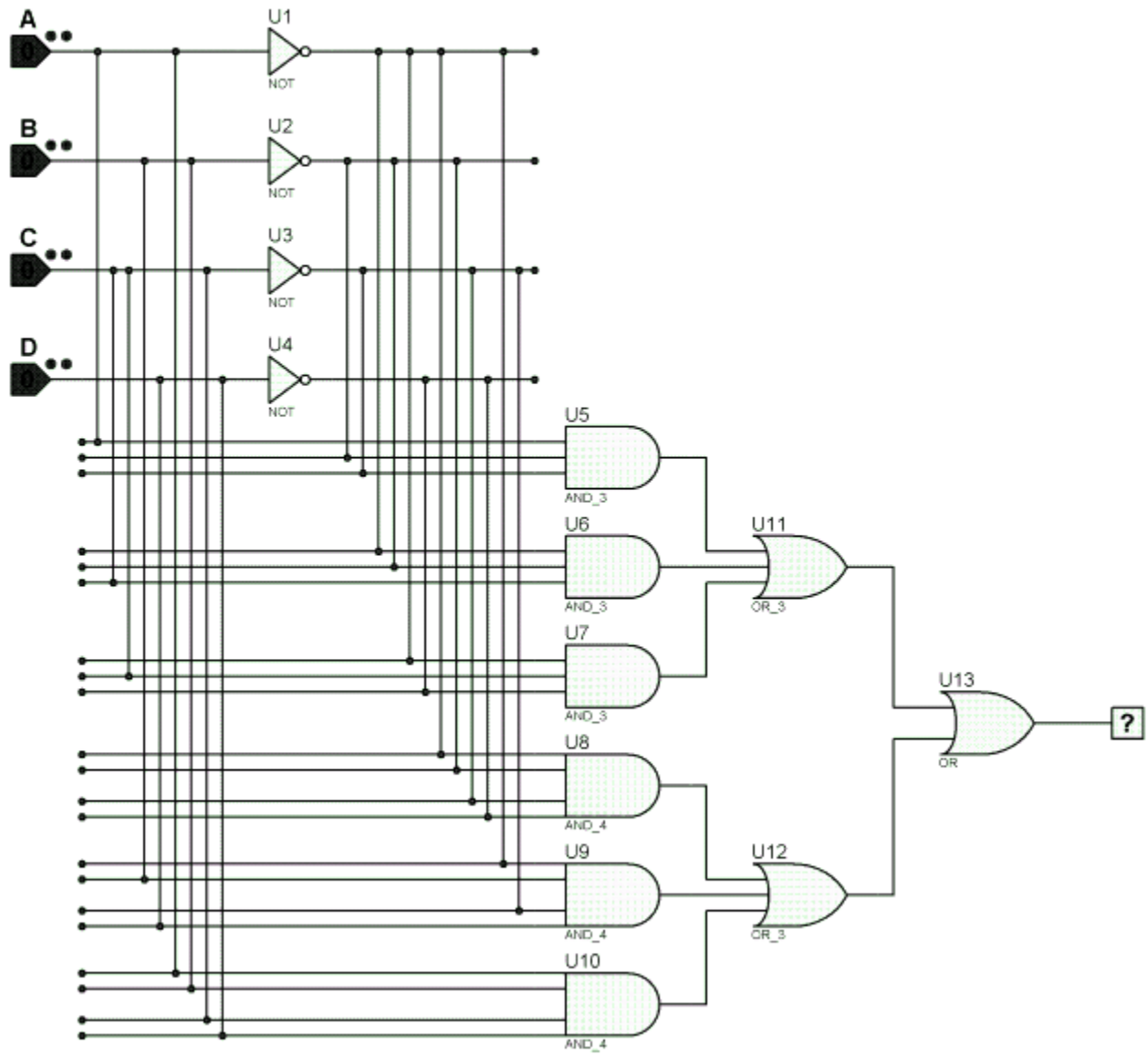
B



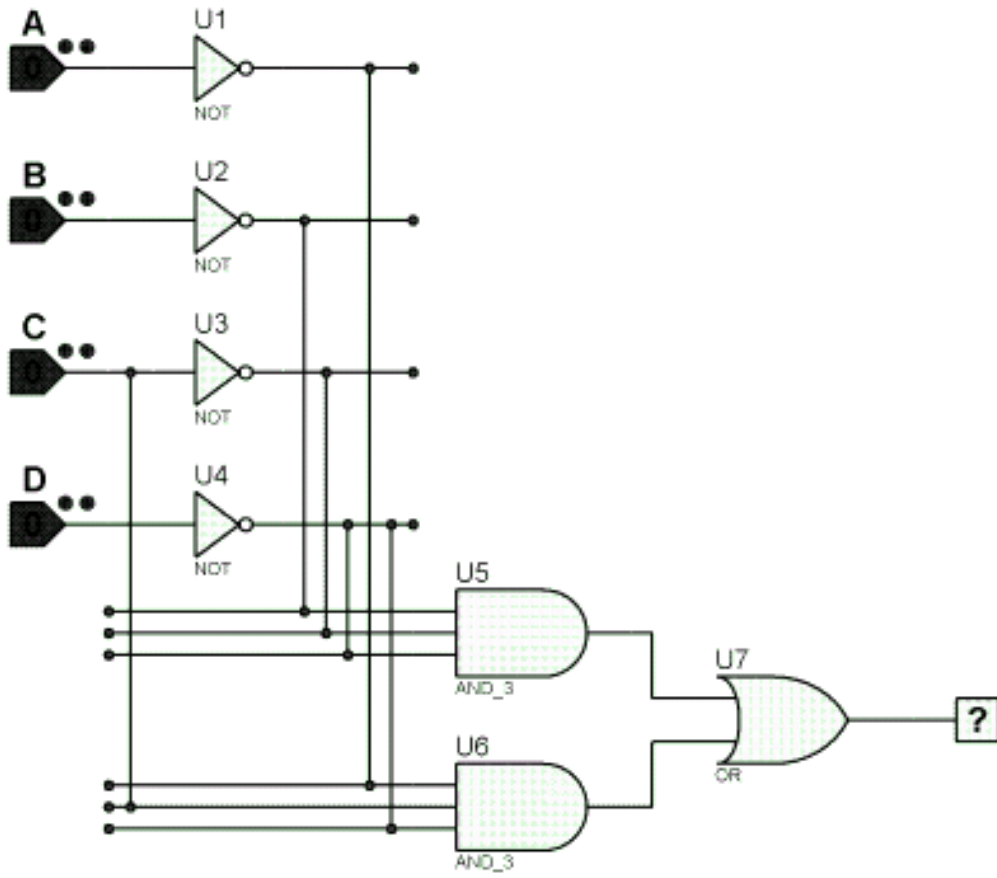
C



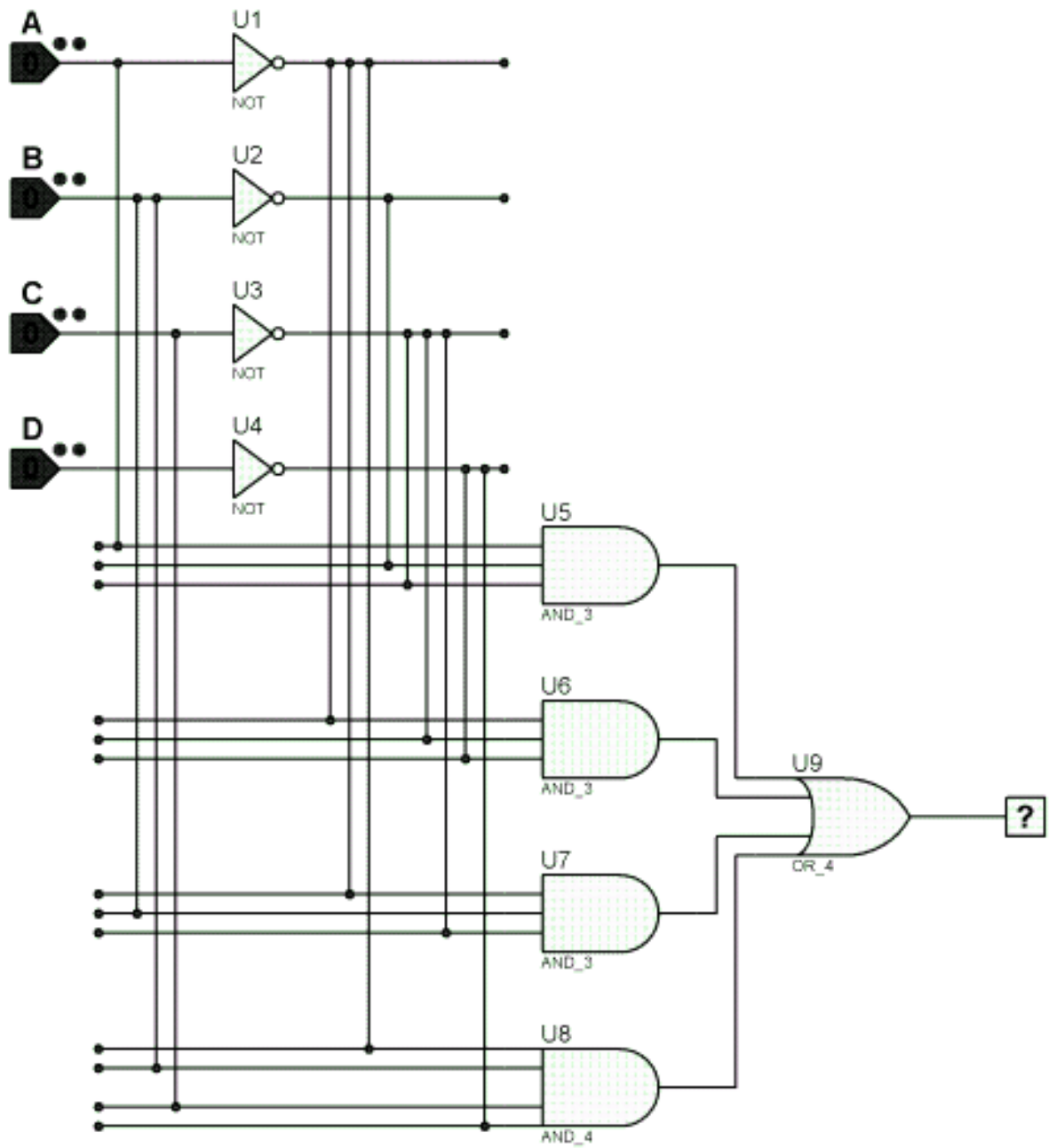
D



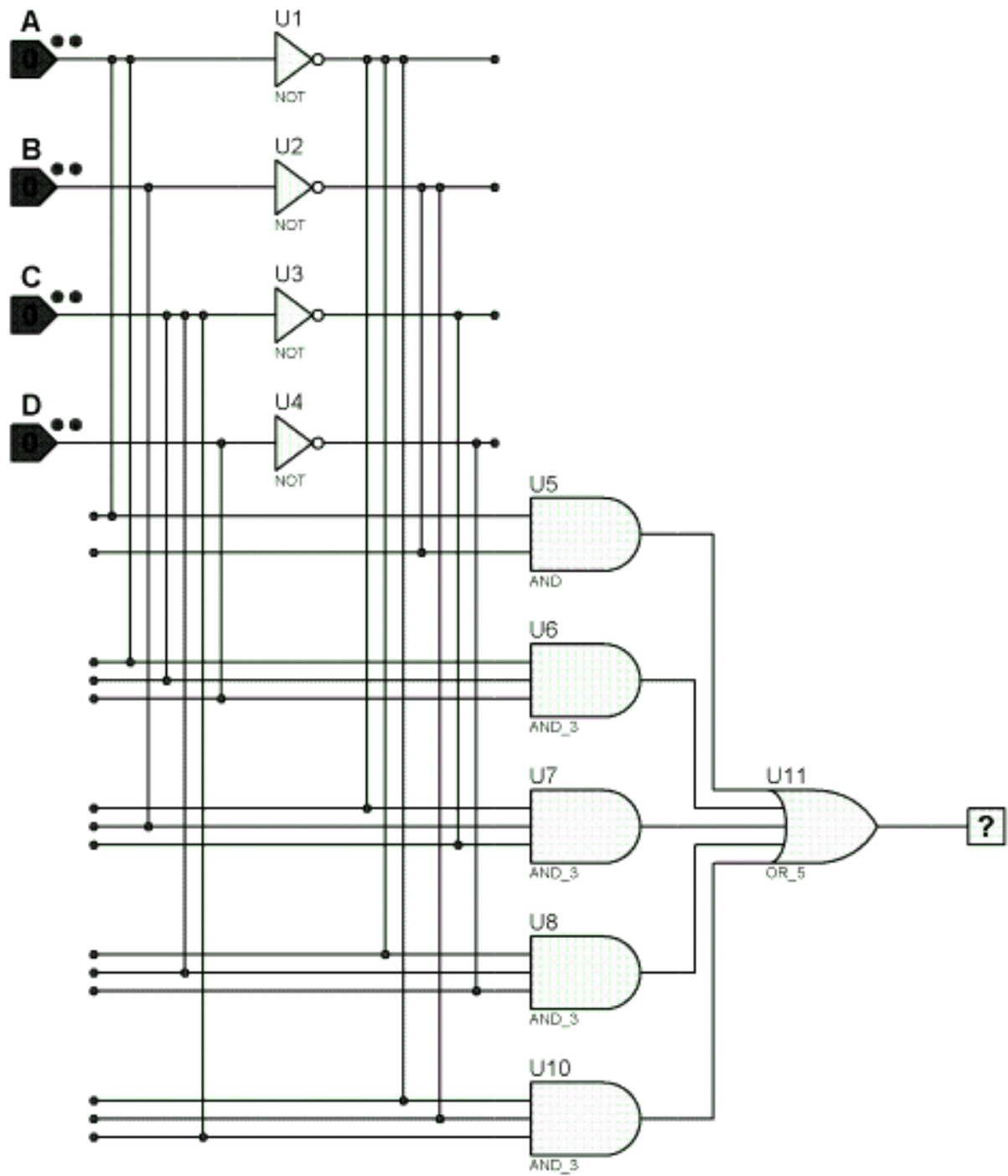
E



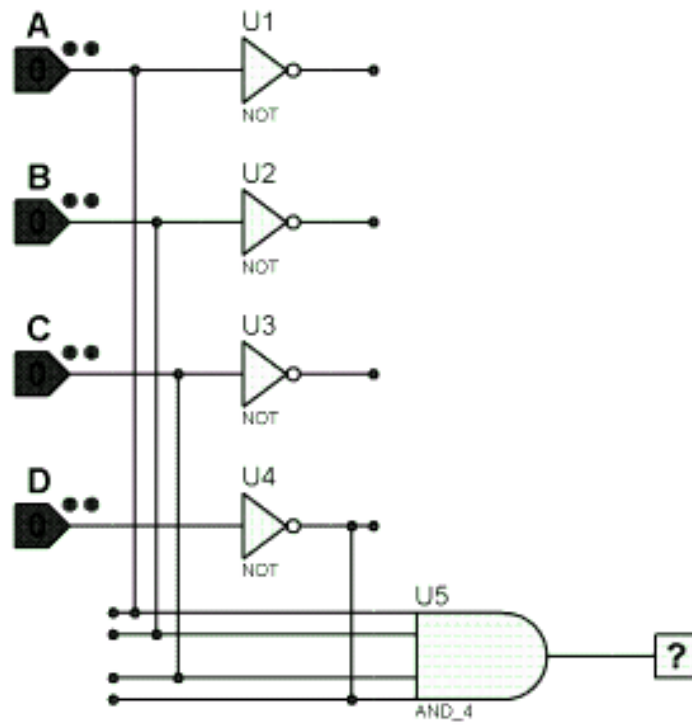
F



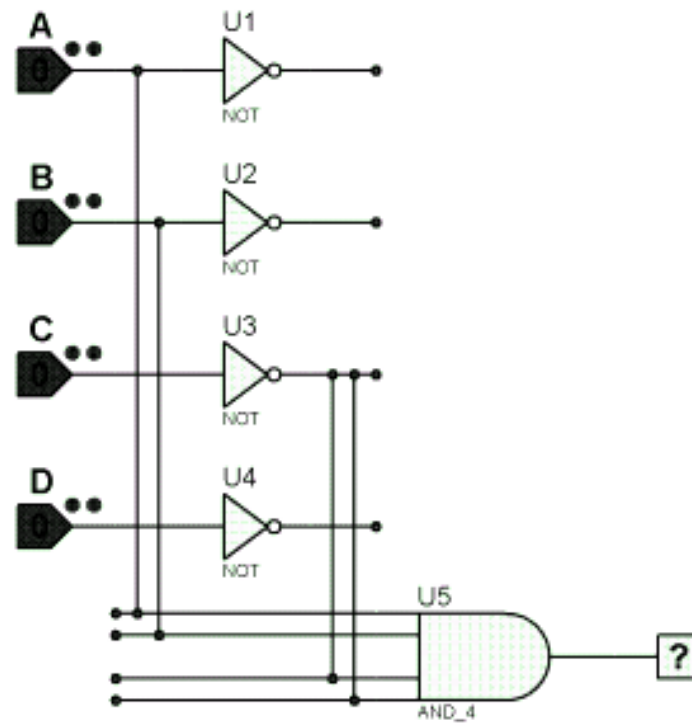
G



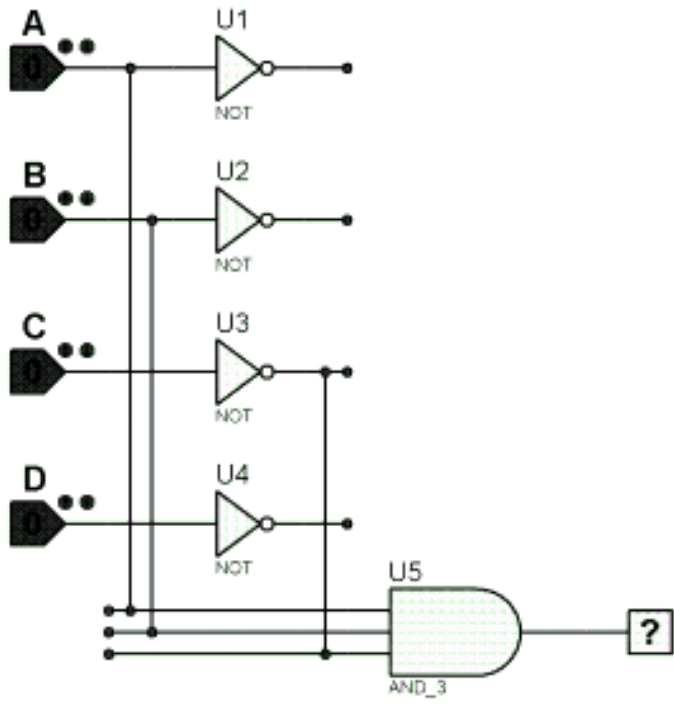
H



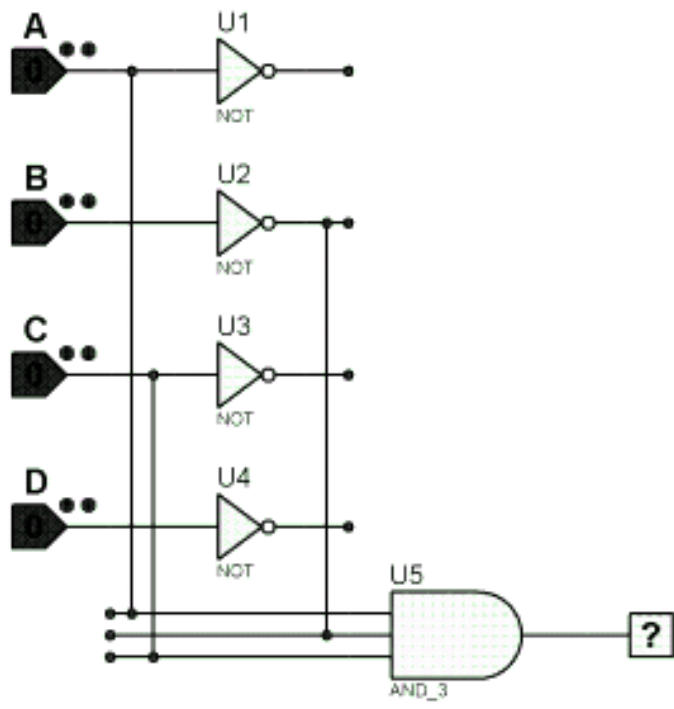
I



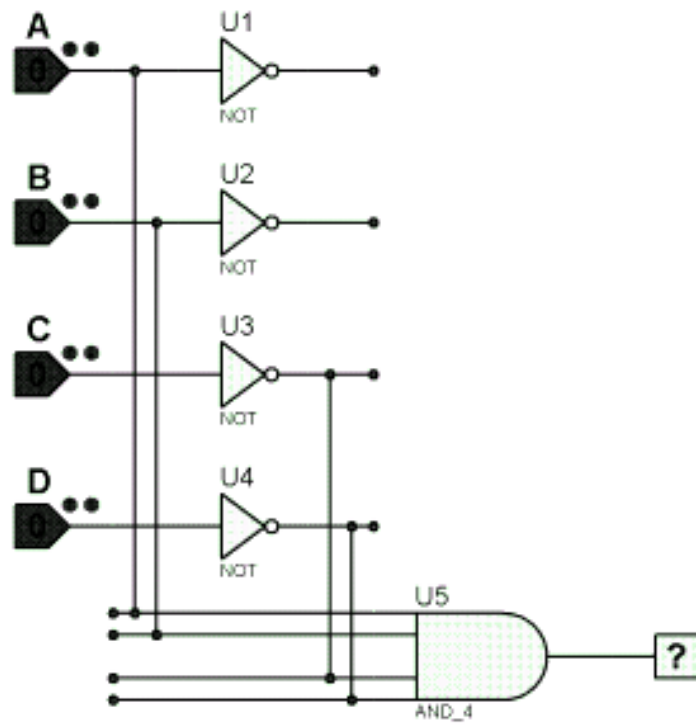
J



K



L



M

